

Pillow-Style Test-Ball® Plugs



Cherne's Pillow-Style Test-Balls are great for blocking sewer flow and can also be used as a "back plug" for sewer air testing. Made from heavy-duty elastic urethane these plugs are lightweight, flexible, chemical and petroleum resistant, and will fit through small diameter openings. Pillow-style plugs can be tethered to full head pressure with the tether bar.



Features:

- Equipped with a special 30' inflation hose, read-back line and gauge
- A repair kit is available to fix small tears and punctures

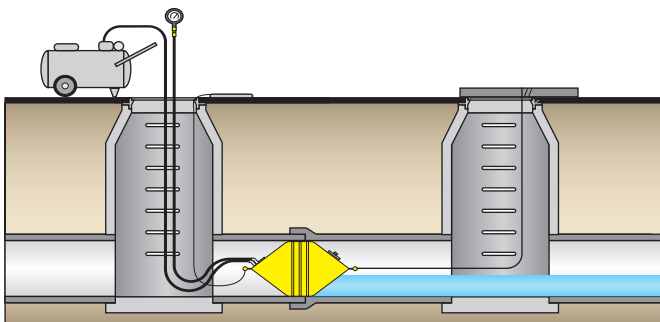
Pillow-Style Test-Ball

Part Number	Nominal Size	Usage Range	Maximum Back Pressure	Inflation Pressure	Product Weight	Deflated Length	Deflated Diameter	Inflation Thread	
277108	*15" (375 mm)	14.7"-15.5" (373-394 mm)	15 psi (1 bar)	35 ft. (11 M)	24 psi (1,65 bar)	7 lbs (3.2 kg)	43" (1100 mm)	12" (305 mm)	1/4" (1)
277118	*18" (450 mm)	17.8"-18.8" (451-477 mm)	15 psi (1 bar)	35 ft. (11 M)	24 psi (1,65 bar)	9 lbs (4.1 kg)	43" (1100 mm)	12" (305 mm)	1/4" (1)
277128	*20" (500 mm)	19.6"-20.7" (498-526 mm)	13 psi (0,9 bar)	30 ft. (9.1 M)	18 psi (1,24 bar)	12 lbs (5.5 kg)	43" (1100 mm)	12" (305 mm)	1/4" (1)
277134	*21" (525 mm)	20.6"-21.8" (523-554 mm)	13 psi (0,9 bar)	30 ft. (9.1 M)	18 psi (1,24 bar)	14 lbs (6.4 kg)	43" (1100 mm)	12" (305 mm)	1/4" (1)
277142	*24" (600 mm)	23.5"-25.2" (598-641 mm)	11 psi (0,76 bar)	25 ft. (7.6 M)	18 psi (1,24 bar)	16 lbs (7.3 kg)	66" (1700 mm)	12" (305 mm)	1/4" (1)
277150	*27" (700 mm)	26.5"-28.2" (672-717 mm)	11 psi (0,76 bar)	25 ft. (7.6 M)	18 psi (1,24 bar)	18 lbs (8.2 kg)	66" (1700 mm)	12" (305 mm)	1/2" (1)
277169	30" (750 mm)	29.4"-31.25" (747-794 mm)	11 psi (0,76 bar)	25 ft. (7.6 M)	18 psi (1,24 bar)	20 lbs (9.1 kg)	66" (1700 mm)	12" (305 mm)	1/2" (1)
277177	33" (850 mm)	32.3"-34.25" (819-870 mm)	8.7 psi (0,61 bar)	20 ft. (6.1 M)	13 psi (0,9 bar)	22 lbs (9.9 kg)	95" (2413 mm)	12" (305 mm)	1/2" (1)
277185	36" (900 mm)	35.3"-37.5" (896-953 mm)	8.7 psi (0,61 bar)	20 ft. (6.1 M)	13 psi (0,9 bar)	32 lbs (14.5 kg)	95" (2413 mm)	12" (305 mm)	1/2" (1)
277193	42" (1100 mm)	41.2"-43.7" (1045-1111 mm)	7.8 psi (0,55 bar)	18 ft. (5.5 M)	12 psi (0,83 bar)	36 lbs (16.4 kg)	95" (2413 mm)	12" (305 mm)	1/2" (1)
277207	48" (1200 mm)	47.04"-50" (1195-1270 mm)	5.6 psi (0,4 bar)	13 ft. (4 M)	12 psi (0,83 bar)	41 lbs (18.6 kg)	95" (2413 mm)	12" (305 mm)	1/2" (1)
277215	54" (1400 mm)	52.92"-56" (1344-1422 mm)	5.6 psi (0,4 bar)	13 ft. (4 M)	10 psi (0,7 bar)	48 lbs (21.8 kg)	95" (2413 mm)	15" (381 mm)	1/2" (1)
277223	60" (1500 mm)	58.8"-62" (1494-1575 mm)	5.6 psi (0,4 bar)	13 ft. (4 M)	10 psi (0,7 bar)	64 lbs (29.1 kg)	126" (3200 mm)	15" (381 mm)	1/2" (1)
277231	66" (1700 mm)	64.7"-68" (1643-1727 mm)	3.5 psi (0,24 bar)	8 ft. (2.4 M)	8 psi (0,55 bar)	70 lbs (31.8 kg)	126" (3200 mm)	15" (381 mm)	1/2" (1)

*15" - 27" pillow-style plugs have standard snifter valve air connection.

Large single-size plugs are not suitable for leak location or vacuum testing. Custom sizes of the Pillow-Style Test-Ball® and Muni-Ball® plugs are also available.

Blocking flow



Large single-size plugs are not suitable for leak location or vacuum testing. Custom sizes of the Pillow-Style Test-Ball® and Muni-Ball® plug are also available.

Always block plugs when conducting air tests.