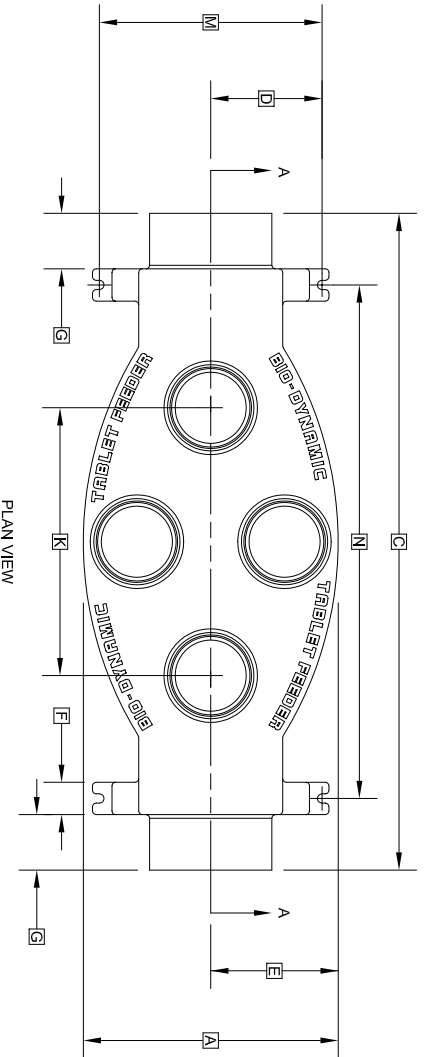


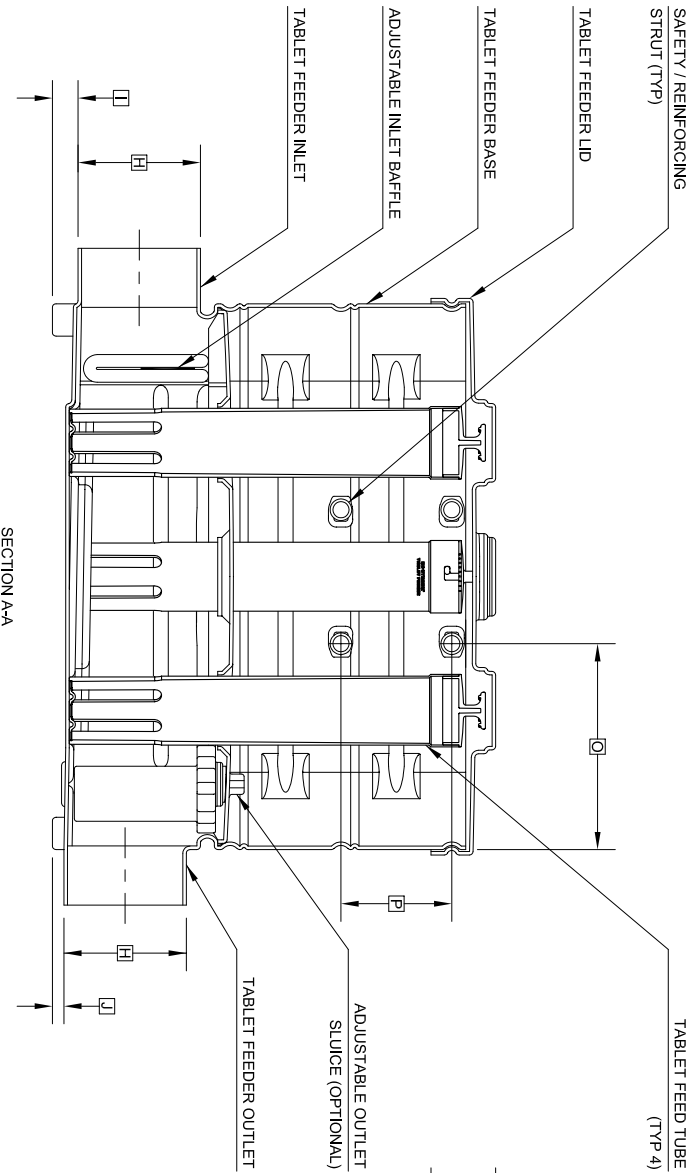


**PROMAG ENVIRO**  
Leader in Water & Waste Water Treatment Supply

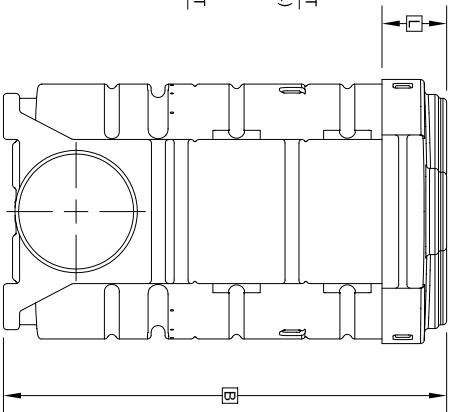
CALL US TOLL FREE 1.866.449.2781  
www.promagenviro.com info@promagenviro.com



PLAN VIEW



SECTION AAA



OUTLET END VIEW

**GENERAL NOTES:**

- ① FALL THROUGH TABLET FEEDER FROM INLET INVERT TO OUTLET INVERT IS ONE INCH ±3/8".
- ② FINISHED GRADE MUST BE MAINTAINED AT LEAST SIX INCHES BELOW TOP OF LID.
- ③ FEEDER BASE HEIGHT MAY BE REDUCED IN SIX INCH INCREMENTS. COVER MUST BE DRILLED TO ALLOW TUBES TO EXTEND THROUGH LID WHEN REDUCING FEEDER HEIGHT.
- ④ WHERE TABLET FEEDER IS INSTALLED WITHOUT MOUNTING BRACKETS, INSTALL ON FOUR INCH SAND OR FINE GRAVEL LEVELING PAD.

PROJECT ENGINEER'S APPROVAL:  
I (WE) HEREBY CERTIFY THAT THIS DRAWING HAS BEEN CHECKED AND IS APPROVED FOR USE IN CONFORMITY WITH THE CONTRACT DOCUMENTS.

DATE: \_\_\_\_\_

NAME: \_\_\_\_\_

CONTRACTOR'S CERTIFICATION:  
I (WE) HEREBY CERTIFY THAT THIS DRAWING HAS BEEN CHECKED AND IS APPROVED FOR USE IN CONFORMITY WITH THE CONTRACT DOCUMENTS.

DATE: \_\_\_\_\_

NAME: \_\_\_\_\_

**CRITICAL DIMENSIONS**

A	1'-2 1/2"	J	0'-0 1/2"
B	2'-0"	K	1'-2 1/2"
C	2'-11 3/4"	L	0'-3 1/2"
D	0'-6"	M	1'-0"
E	0'-7 1/4"	N	2'-4"
F	0'-1 3/4" (TYP)	O	0'-11"
G	0'-3" (TYP)	P	0'-6" (TYP)
H	0'-6 5/8" (TYP)	Q	
I	0'-1 1/2"	R	

**TOLERANCES**

NOMINAL DIMENSIONS ARE SHOWN AND MAY VARY ±3/8" FOR ROTOMOLDED COMPONENTS.

U.S. PATENT PENDING FOREIGN PATENTS PENDING

**norwaco** 11-14-07

BOS JMM 10-2-97 NTS

PC-5-9504