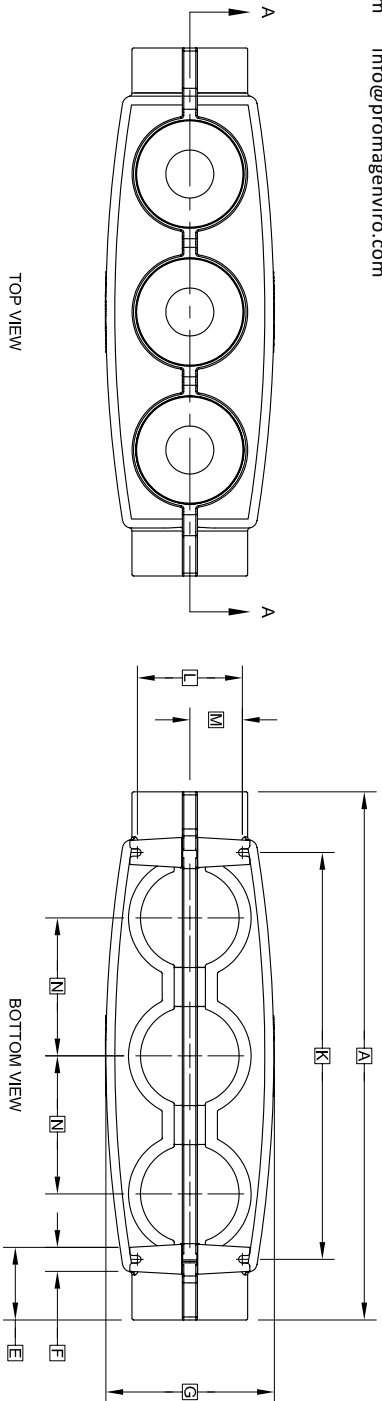


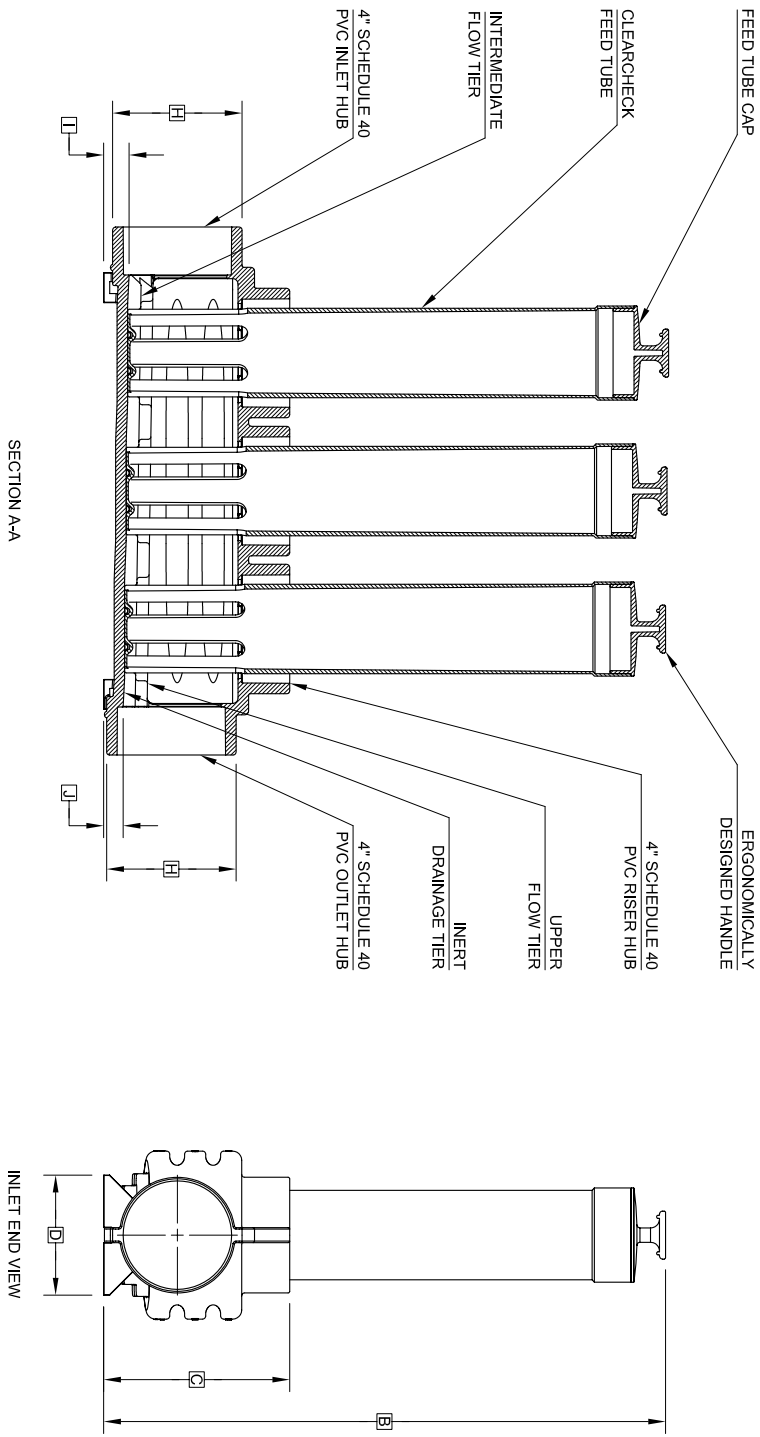


PROMAG ENVIRO
Leader in Water & Waste Water Treatment Supply

CALL US TOLL FREE 1.866.449.2781
www.promagenviro.com info@promagenviro.com



- GENERAL NOTES:**
- ① FALL THROUGH TABLET FEEDER FROM INLET INVERT TO OUTLET INVERT IS ONE QUARTER INCH ± $\frac{1}{4}$ "
 - ② FINISHED GRADE MUST BE MAINTAINED AT LEAST SIX INCHES BELOW TOP OF LID.
 - ③ INLET, OUTLET, AND RISER HUBS ACCEPT STANDARD SCHEDULE 40 PVC PIPES AND FITTINGS.
 - ④ WHERE TABLET FEEDER IS INSTALLED WITHOUT MOUNTING BRACKETS, INSTALL ON FOUR INCH SAND OR FINE GRAVEL LEVELING PAD.



PROJECT ENGINEER'S APPROVAL:
I (WE) HEREBY CERTIFY THAT THIS DRAWING HAS BEEN CHECKED AND IS APPROVED FOR USE IN CONFORMITY WITH THE CONTRACT DOCUMENTS.

DATE: _____

NAME: _____

CONTRACTOR'S CERTIFICATION:
I (WE) HEREBY CERTIFY THAT THIS DRAWING HAS BEEN CHECKED AND IS APPROVED FOR USE IN CONFORMITY WITH THE CONTRACT DOCUMENTS.

DATE: _____

NAME: _____

CRITICAL DIMENSIONS

A	1'-10"	N	0'-5 3/4"
B	1'-11 3/8"	O	
C	0'-7 3/4"	P	
D	0'-5"	Q	
E	0'-3" (TYP)	R	
F	0'-1" (TYP)	S	
G	0'-7"	T	
H	0'-5 3/8"	U	
I	0'-1"	V	
J	0'-3/4"	W	
K	1'-5"	X	
L	0'-4 3/8"	Y	
M	0'-2 3/16"	Z	

U.S. AND FOREIGN PATENTS PENDING

norweco

BIO-DYNAMIC®
MODEL LF 3000
TABLET FEEDER

11-14-07 A
BDS
JMM
1-16-06
18
PC-S-9924