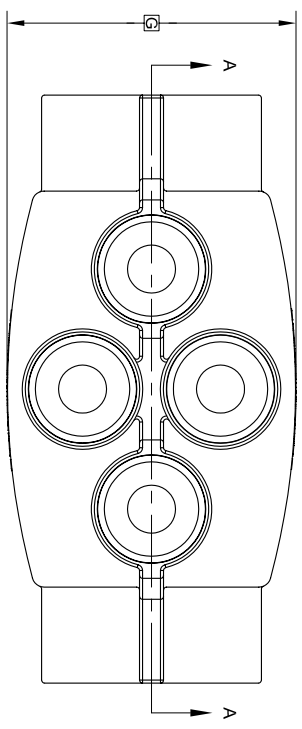


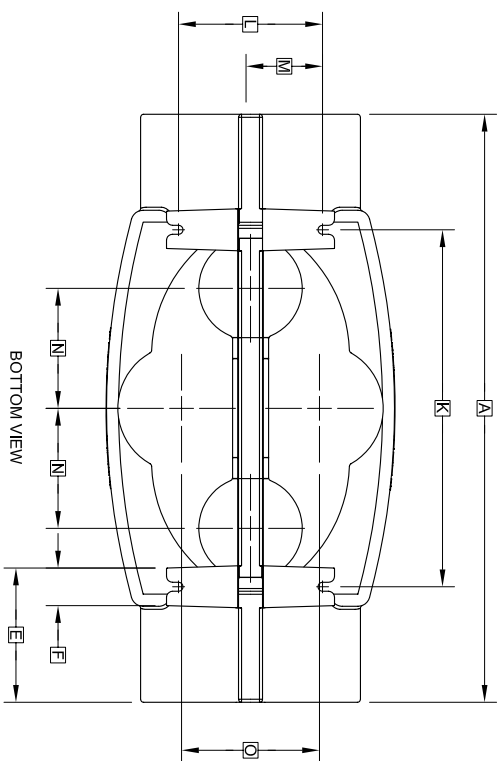


**PROMAG ENVIRO**  
 Leader In Water & Waste Water Treatment Supply

CALL US TOLL FREE 1.866.449.2781  
 www.promagenviro.com info@promagenviro.com



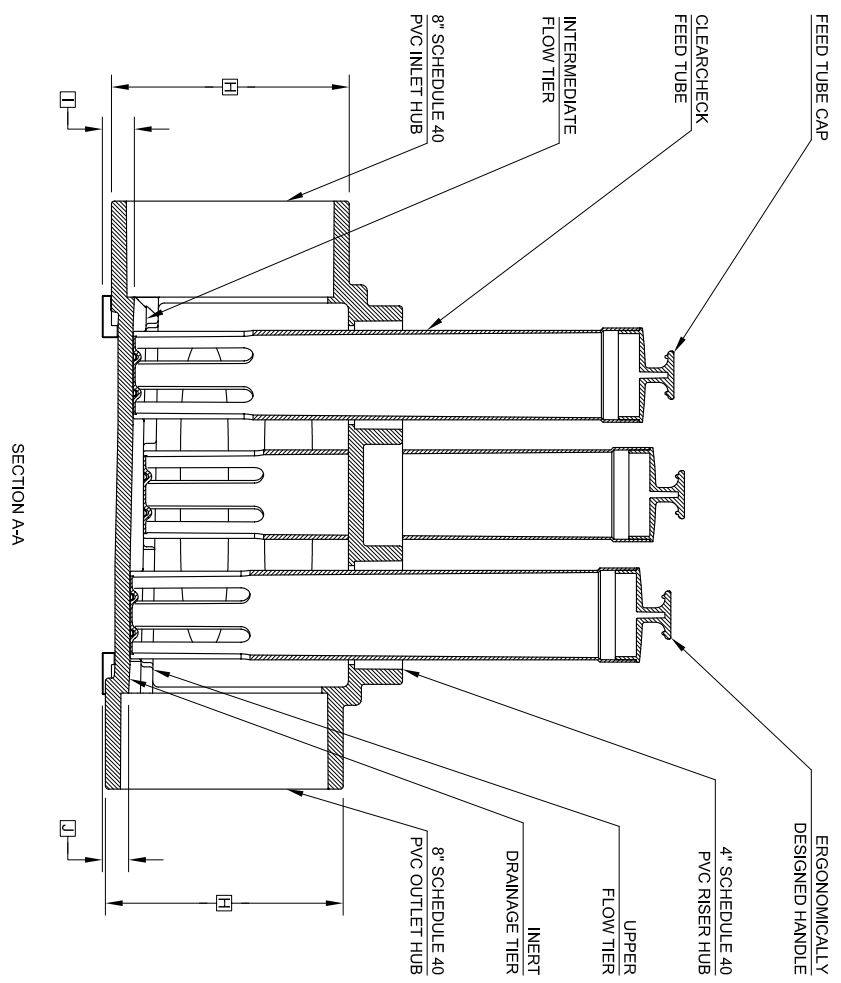
TOP VIEW



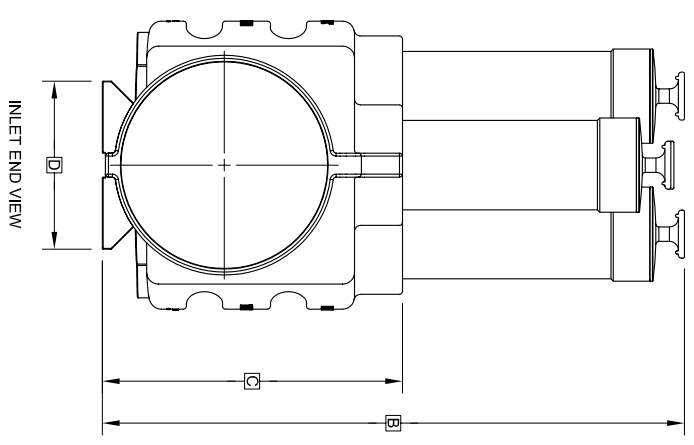
BOTTOM VIEW

**GENERAL NOTES:**

- ① FALL THROUGH TABLET FEEDER FROM INLET INVERT TO OUTLET INVERT IS ONE QUARTER INCH  $\pm 1/32"$ .
- ② FINISHED GRADE MUST BE MAINTAINED AT LEAST SIX INCHES BELOW TOP OF LID.
- ③ INLET, OUTLET, AND RISER HUBS ACCEPT STANDARD SCHEDULE 40 PVC PIPES AND FITTINGS.
- ④ WHERE TABLET FEEDER IS INSTALLED WITHOUT MOUNTING BRACKETS, INSTALL ON FOUR INCH SAND OR FINE GRAVEL LEVELING PAD.
- ⑤ RATED FOR 40,000 - 400,000 GPD.



SECTION A-A



INLET END VIEW

PROJECT ENGINEER'S APPROVAL:  
 I (WE) HEREBY CERTIFY THAT THIS DRAWING HAS BEEN CHECKED AND IS APPROVED FOR USE IN CONFORMITY WITH THE CONTRACT DOCUMENTS.  
 DATE: \_\_\_\_\_

NAME: \_\_\_\_\_

CONTRACTOR'S CERTIFICATION:  
 I (WE) HEREBY CERTIFY THAT THIS DRAWING HAS BEEN CHECKED AND IS APPROVED FOR USE IN CONFORMITY WITH THE CONTRACT DOCUMENTS.  
 DATE: \_\_\_\_\_

NAME: \_\_\_\_\_

CRITICAL DIMENSIONS	
A	2'-0 1/2"
B	2'-0 1/4"
C	1'-0 1/2"
D	0'-7"
E	0'-5 5/8" (TYP)
F	0'-1 9/16" (TYP)
G	1'-0"
H	0'-9 7/8"
I	0'-1 1/4"
J	0'-1"
K	1'-2 7/8"
L	0'-6"
M	0'-3"
N	0'-5"
O	0'-5 3/4"
P	
Q	
R	
S	
T	
U	
V	
W	
X	
Y	
Z	

U.S. AND FOREIGN PATENTS PENDING

**norweco**

BIO-DYNAMIC®  
 MODEL LF 4800  
 TABLET FEEDER

DATE: 1-16-06

18

PC-S-9925