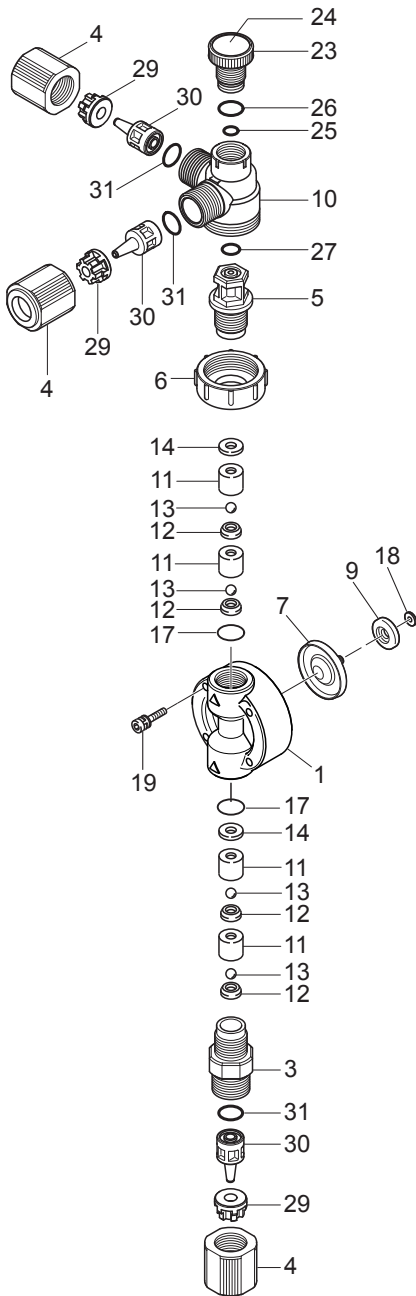


# EZ 11-36 TC / TA Liquid End Exploded View



Item	Part#	Description	Qty	Material	Size	Liquid End Material
1	EH2407	Pump Head	1	PVDF	B11	TC, TA
	EH2408		1	PVDF	B16	TC, TA
	EH2409		1	PVDF	B21	TC, TA
	EH1969		1	PVDF	B31	TC, TA
	EH2411		1	PVDF	C16	TC, TA
	EH2412		1	PVDF	C21	TC, TA
	EH1966		1	PVDF	C31	TC, TA
	EH1967		1	PVDF	C36	TC, TA
3	EH2359	Housing, Valve (Suction)	1	PVDF	B11,16,21 / C16,21	TC, TA
	EH2360		1	PVDF	B31 / C31,36	TC, TA
4	EH2363	Coupling Nut	3	PVDF	B11,16,21 / C16,21,31,36	TC, TA
5	EH2364	Fitting, MAVV	1	PVDF	B11,16,21 / C16,21	TC, TA
	EH2365		1	PVDF	B31 / C31,36	TC, TA
6	EH2366	Lock Nut, MAVV	1	PVDF	B11,16,21,31 / C16,21,31,36	TC, TA
*7	EH1971	Diaphragm	1	PTFE+EPDM	B11	ALL
	EH1972		1	PTFE+EPDM	B16 / C16	ALL
	EH1973		1	PTFE+EPDM	B21 / C21	ALL
	EH1974		1	PTFE+EPDM	B31 / C31	ALL
	EH1975		1	PTFE+EPDM	C36	ALL
*9	EH0059	Retainer	1	PPS+GF	B11	ALL
	EH0083		1	PPS+GF	B16 / C16	ALL
	EH0067		1	PPS+GF	B21 / C21	ALL
	EH0087		1	PPS+GF	B31 / C31	ALL
	EH0158		1	PPS+GF	C36	ALL
10	EH2367	Body, MAVV	1	PVDF	B11,16,21 / C16,21,31,36	TC, TA
*11	EH2413	Guide, Valve	4	PVDF	B11	TC, TA
	EH2414		4	PVDF	B16,21 / C16,21	TC, TA
	EH2368		4	PVDF	B31 / C31,36	TC, TA
*12	EH0061	Seat, Valve	4	FKMA	B11	TC
	EH0069		4	FKMA	B16,21 / C16,21	TC
	EH0119		4	FKMA	B31 / C31,36	TC
	EH2415		4	PCTFE	B11	TA
	EH2416		4	PCTFE	B16, 21/ C16, 21	TA
	EH0593		4	PCTFE	B31 / C31, 36	TA
	EH0025	Ball, Valve	4	CE	B11	TC
	EH0084		4	CE	B16,21 / C16,21	TC
	EH0120		4	CE	B31 / C31,36	TC
*14	EH0342	Gasket, Valve	2 (6)	PTFE	B11,16,21 / C16,21	TC (TA)
	EH0354		2 (6)	PTFE	B31 / C31,36	TC (TA)
*17	EH0027	O-Ring, S14	2	FKMA	B11,16,21 / C16,21	TC
	E00179		2	AFLAS™	B11,16,21 / C16,21	TA
	EH0122	O-Ring, P16	2	FKMA	B31 / C31,36	TC
	E00201		2	AFLAS™	B31 / C31,36	TA
19	EH1986	Bolt, Hex Soc. w/washers	4	M4x35 316SS	B11,16,21 / C16,21,31	ALL
	EH1987		4	M4x40 316SS	B31	ALL
	EH1988		4	M5x35 316SS	C36	ALL
	EH1049	Knob, MAVV	1	PVDF	B11,16,21,31 / C16,21,31,36	TC, TA
24	EH1314	Label, MAVV Knob	1		B11,16,21,31 / C16,21,31,36	ALL
*25	EH0300	O-Ring, P4	1	FKMA	B11,16,21,31 / C16,21,31,36	TC
	E00176		1	AFLAS™	B11,16,21,31 / C16,21,31,36	TA
*26	EH0302	O-Ring, P10A	1	FKMA	B11,16,21,31 / C16,21,31,36	TC
	E00174		1	AFLAS™	B11,16,21,31 / C16,21,31,36	TA
*27	EH2335	O-Ring, P10	1	FKMA	B11,16,21,31 / C16,21,31,36	TC
	E00173		1	AFLAS™	B11,16,21,31 / C16,21,31,36	TA
*29	EH2337	Clamp Ring, 3/8" OD	3	PPS+GF	B11,16,21 / C16,21	TC, TA
	EH2338	Clamp Ring, 1/2" OD	3	PPS+GF	B31 / C31,36	TC, TA
*30	EH2369	Adapter,Tubing, 3/8"OD	3	PVDF	B11,16,21 / C16,21	TC, TA
	EH2370	Adapter, Tubing, 1/2"OD	3	PVDF	B31 / C31,36	TC, TA
*31	EH2341	O-Ring, P9	3	FKMA	B11,16,21,31 / C16,21,31,36	TC
	E00178		3	AFLAS™	B11,16,21,31 / C16,21,31,36	TA
18	-----	Brass Spacers	--	Brass	Drive Specific. Reuse with Dia. change	ALL

**W A L C H E M**

IWAKI America Inc.