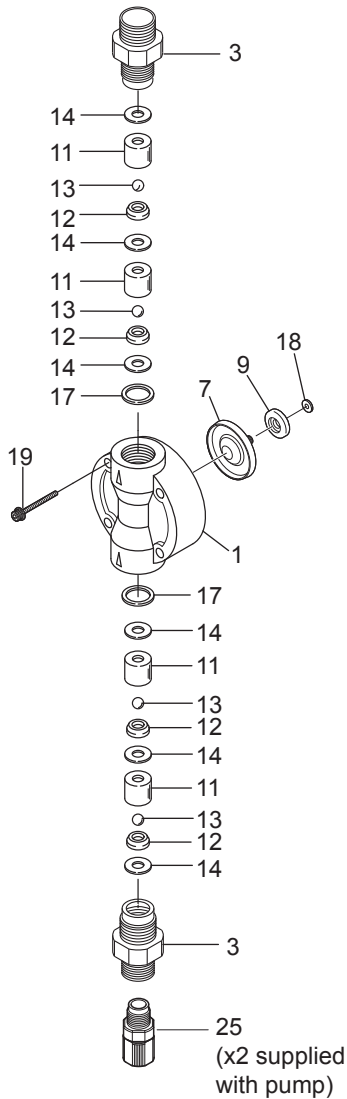


# EZ 11-16 FC Liquid End Exploded View



Item	Part#	Description	Qty	Material	Size	Liquid End Material	
<b>1</b>	EH2407	Pump Head	1	PVDF	B11	FC	
	EH2408		1	PVDF	B16	FC	
	EH2409		1	PVDF	B21	FC	
	EH1969		1	PVDF	B31	FC	
	EH2411		1	PVDF	C16	FC	
	EH2412		1	PVDF	C21	FC	
	EH1966		1	PVDF	C31	FC	
<b>3</b>	EH2361	Housing, Valve	2	PVDF	B11,16,21 / C16,21	FC	
	EH2362		2	PVDF	B31 / C31,36	FC	
<b>*7</b>	EH1971	Diaphragm	1	PTFE+EPDM	B11	FC	
	EH1972		1	PTFE+EPDM	B16 / C16	FC	
	EH1973		1	PTFE+EPDM	B21 / C21	FC	
	EH1974		1	PTFE+EPDM	B31 / C31	FC	
	EH1975		1	PTFE+EPDM	C36	FC	
	<b>*9</b>	EH0059	Retainer	1	PPS+GF	B11	FC
		EH0083		1	PPS+GF	B16 / C16	FC
EH0067			1	PPS+GF	B21 / C21	FC	
EH0087			1	PPS+GF	B31 / C31	FC	
EH0158			1	PPS+GF	C36	FC	
<b>*11</b>	EH2413	Guide, Valve	4	PVDF	B11	FC	
	EH2414		4	PVDF	B16,21 / C16,21	FC	
	EH0352		4	PVDF	B31 / C31,36	FC	
<b>*12</b>	EH2415	Seat, Valve	4	PCTFE	B11	FC	
	EH2416		4	PCTFE	B16,21 / C16,21	FC	
	EH1722		4	PCTFE	B31 / C31,36	FC	
<b>*13</b>	EH0025	Ball, Valve	4	CE	B11	FC	
	EH0084		4	CE	B16,21 / C16,21	FC	
	EH0120		4	CE	B31 / C31,36	FC	
<b>*14</b>	EH0354	Gasket, Valve	6	PTFE	B31 / C31,36	FC	
	EH0342		6	PTFE	B11,16,21 / C16,21	FC	
<b>*17</b>	EH0591	Gasket, Valve Housing	2	PTFE	B11,16,21 / C16,21	FC	
	EH0613		2	PTFE	B31 / C31,36	FC	
<b>19</b>	EH1986	Bolt, Hex Soc. w/washers	4	M4x35 316SS	B11,16,21/ C16,21,31	FC	
	EH1987		4	M4x40 316SS	B31	FC	
	EH1988		4	M5x35 316SS	C36	FC	
<b>25</b>	E00260	Fitting, 3/8"Tube x 1/4"MPT	2	PVDF	B11,16,21 / C16,21	FC	
	E00261	Fitting, 1/2"Tube x 1/4"MPT	2	PVDF	B31 / C31,36	FC	
<b>18</b>	-----	Brass Spacers	--	Brass	Drive Specific. Reuse with Dia. change	ALL	

\* Parts Included in the Spart Parts Kits

**W A L C H E M**

IWAKI America Inc.

P/N 180681.B 1/18/2017