

# TX100/200-SERIES



## INSERTION TURBINE INSTRUCTIONS

TX100/200-SERIES INSERTION TURBINE INSTRUCTIONS



TX101/201



TX115/215

**ISO 9001:2008**  
CERTIFIED COMPANY



**PROMAG ENVIRO**  
Leader in Water & Waste Water Treatment Supply

CALL US TOLL FREE 1.866.449.2781  
www.promagenviro.com info@promagenviro.com

## TABLE OF CONTENTS

---

### General Information

Features, Specifications ..... Page 1

### Installation

Piping, Immersion, Positioning the Meter ..... Page 2

Straight Pipe Recommendations ..... Page 3

Full Pipe Recommendations..... Page 4

Fitting Installation, Meter Installation..... Page 5

Proper Depth Setting, Dimension C, Pipe Wall Thickness..... Page 6

### Set-Up

Connection, Calibration, K-Factors ..... Page 7

### Operation

Flow Range, Flow Rates..... Page 8

### Parts List

Parts Exploded View..... Page 9

### Troubleshooting & Repair

Troubleshooting, Repair, Rotor Replacement..... Back

## TABLES AND DIAGRAMS

---

Features..... Page 1

Specifications..... Page 1

Positioning the Meter..... Page 2

Piping..... Page 2

Straight Pipe Recommendations ..... Page 3

Full Pipe Recommendations..... Page 4

Meter Installation..... Page 5

Depth Setting ..... Page 6

Pipe Wall Thickness ..... Page 6

Connection Diagram ..... Page 7

Parts Exploded View..... Page 9

Parts List..... Page 9

Rotor Replacement ..... B a c k

## GENERAL INFORMATION

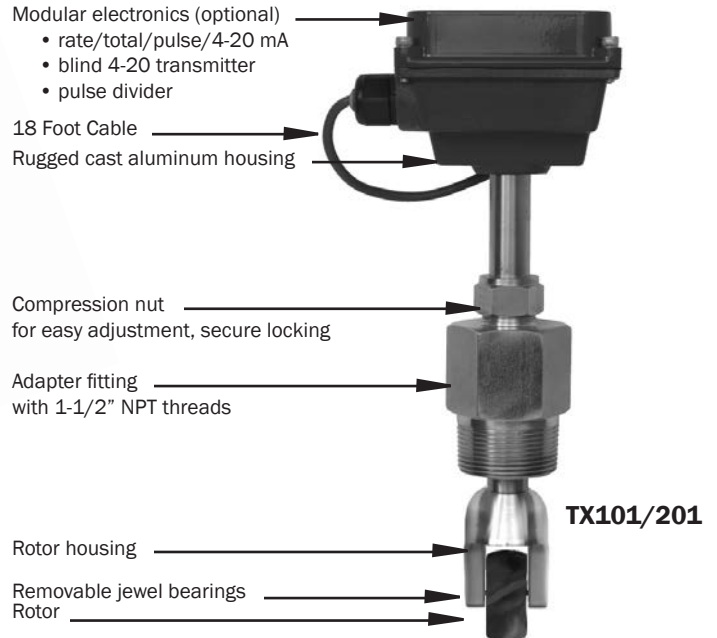
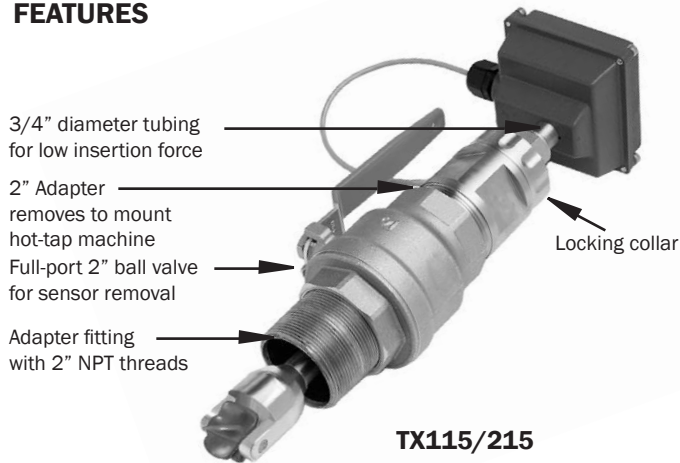
The TX100/200-Series are adjustable depth insertion turbines that come in brass or 316 stainless models to fit 3" to 40" pipe. Installation fittings are standard 1-1/2" (101/201) or 2" (115/215) FNPT. Fittings such as saddles and weldolets may be purchased either locally or from Seametrics.

Ruby bearings and a non-drag pickoff give these adjustable insertion turbine flow sensors a wide flow range and long life. A sensor detects the passage of miniature magnets in the rotor blades. The resulting square-wave signal can be sent for hundreds of feet without a transmitter, over unshielded cable. This signal can be connected directly to many PLC's and other controls without any additional electronics.

If desired, a modular system of electronics can be installed directly on the flow sensor or mounted remotely. The FT415 (battery powered) or FT420 (loop powered) provides digital rate and total display, as well as programmable pulse; the FT420 also provides a 4-20 mA analog output. The AO55 is a blind analog (4-20 mA) transmitter. Programmable pulse for pump pacing is available with the PD10.

The "hot-tap" models (TX115/215) can be installed or serviced without shutting down the line by means of a 2" full-port isolation valve that comes with a nipple for installation on the pipe fitting. In most circumstances, no special tool is required.

## FEATURES



## SPECIFICATIONS\*

Power Source		Standard	Micropowered (-04 Option)
Supply Voltage/Current		6-40 Vdc/< 2 mA	3.5-16 Vdc/60 µA @ 3.5 Vdc
Sensor	Type	Magneto-resistive	Magneto-resistive
	Output	Current Sinking Pulse	Current Sinking Pulse
	Sinking Current	100 mA max	2 mA max
	External Pull-up Resistor	3-40 Vdc	≤ Supply Voltage
Pipe Size	<b>TX101/115</b>	3" - 12" (50 - 300mm)	<b>TX201/215</b>
			12" - 40" (300 - 890mm) <small>Note: For larger pipe sizes contact factory</small>
Materials	Housing	Cast aluminum	
	Sensor Body	Brass or 316 SS	
	Rotor	PVDF standard	
	Shaft/Bearings	Nickel-bound tungsten carbide/Ruby	
	Isolation Valve	<b>TX101/201</b>	<b>TX115/215</b>
	None	Bronze (316SS optional)	
Fitting Size	1-1/2" NPT	2" NPT	
Flow Range	0.5 - 30 feet/sec (0.15 - 9.14 meter/sec)		
Accuracy	+/-1.5% of full scale		
Maximum Temperature	200° F (93° C)		
Maximum Pressure	200 psi (14 bar)		
Insertion Force	0.44 x pressure in pipe		
Cable	#22 AWG 3-con, 18' (6m); 2,000' (650m) maximum cable run		
Regulatory	CE Mark (Standard Power Only)		

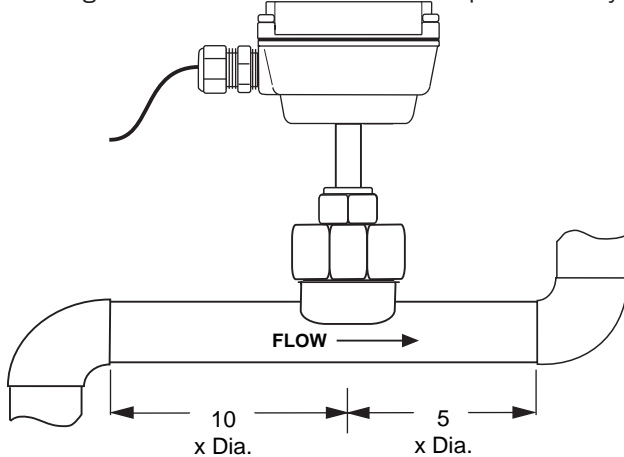
\*Specifications subject to change. Please consult our website for the most current data ([www.seametrics.com](http://www.seametrics.com)).

## INSTALLATION

An insertion flow sensor measures the velocity of flow at one point in the pipe; flow rate and total can be inferred from this one point. Accuracy is decreased by any factor which makes the flow at the measured point unrepresentative of the entire flow stream. This includes distorted flow patterns caused by upstream fittings too close to the sensor. The worst offenders are fittings that increase the flow on one side of the pipe, such as partially-opened gate or butterfly valves. Fluid moving in a pipe does not flow at the same velocity. Toward the center of the pipe, fluid moves faster than at the wall, and the relationship between the two changes as overall flow rate increases. This change in the "velocity profile" can result in non-linearity, which means that the K-factor (see page 7) that is correct for one flow rate may be incorrect for another. Recommended depth settings (see page 6) have been carefully chosen to minimize this source of error, and should be followed carefully, especially in the smaller pipe sizes.

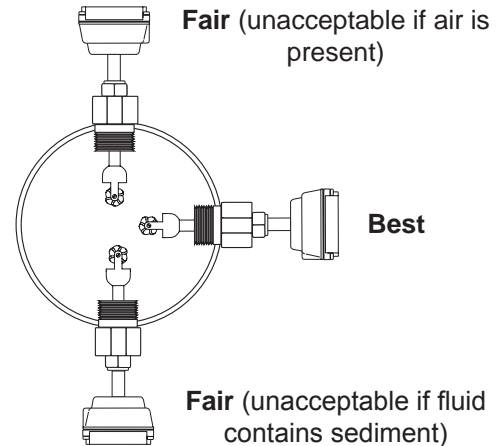
**Piping.** For best results, the TX sensor should be installed with at least ten diameters of straight pipe upstream and five downstream. Certain extreme situations such as partially-opened valves are particularly difficult and may require more straight diameters upstream. See Straight Pipe and Full Pipe recommendations on following pages.

**Immersion.** The TX100/200-Series standard sensors are not designed for continuous underwater operation. If your



meter may experience occasional temporary immersion, as in a flooded vault, a unit modified for immersion should be specified (Option -40).

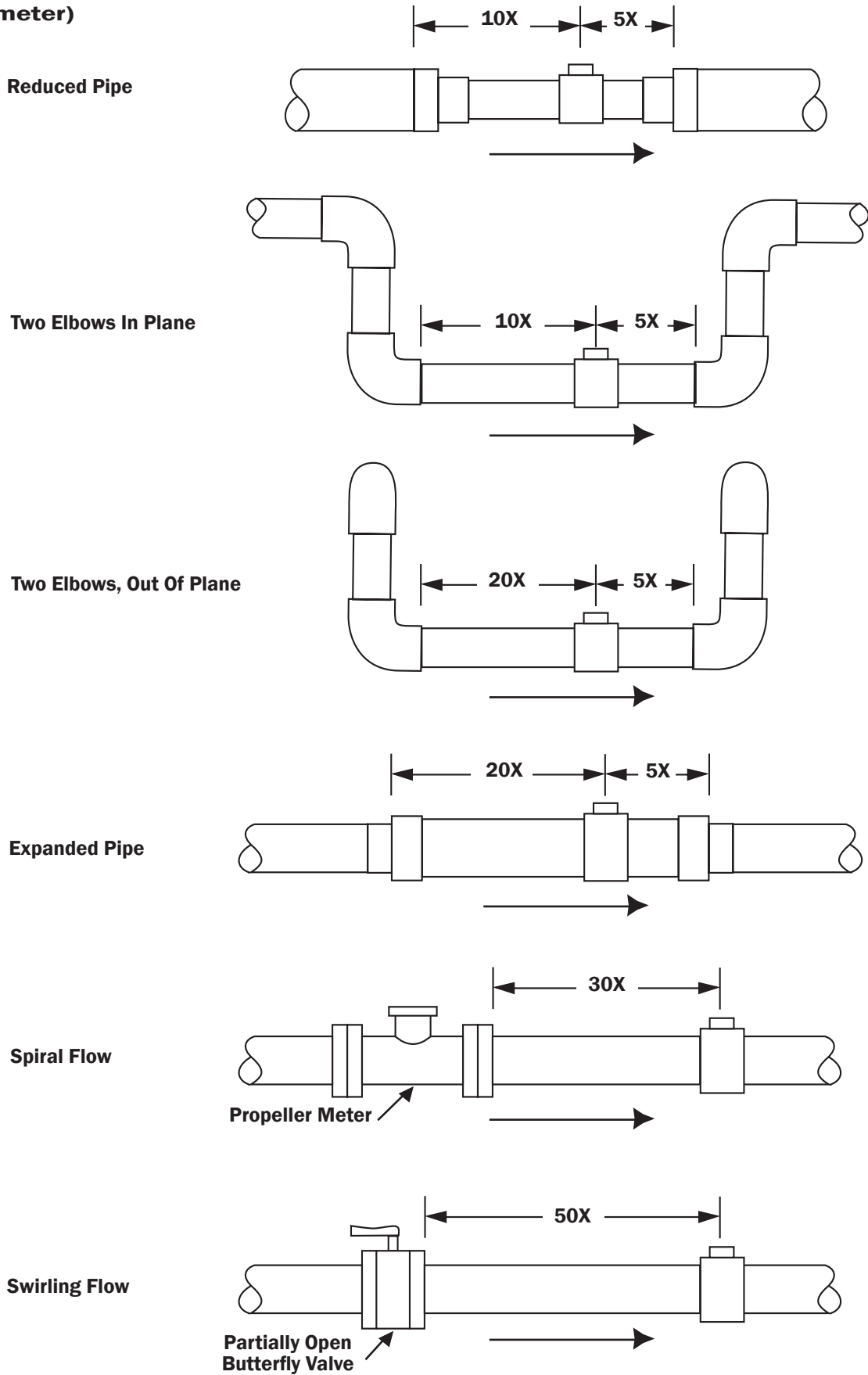
**Positioning the Meter.** Horizontal is the preferred installation orientation, since it improves low-flow performance slightly and avoids problems with trapped air. Bottom, top, and vertical pipe installations are all acceptable if required by the piping layout.



**CAUTION:** These water meters are not recommended for installation downstream of the boiler feedwater pump where installation fault may expose the meter to boiler pressure and temperature. Maximum recommended temperature is 200°F.

STRAIGHT PIPE RECOMMENDATIONS

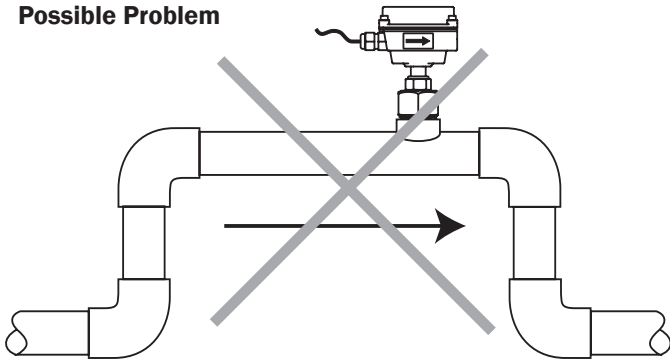
(X = diameter)



# INSTALLATION

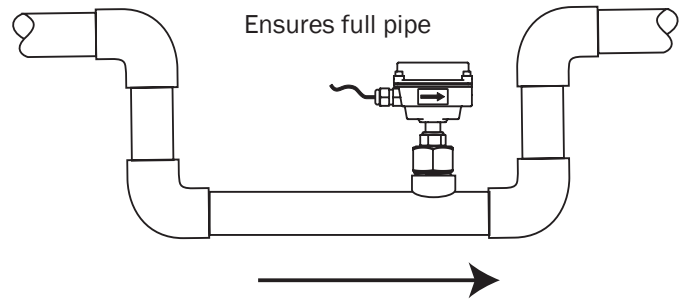
## FULL PIPE RECOMMENDATIONS

### Possible Problem

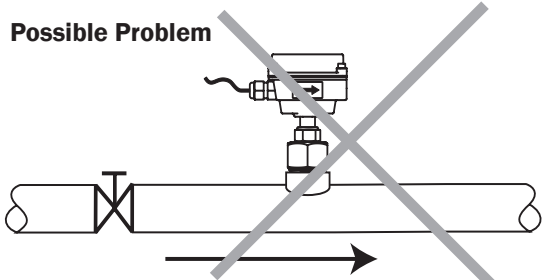


Allows air pockets to form at sensor

### Better Installation

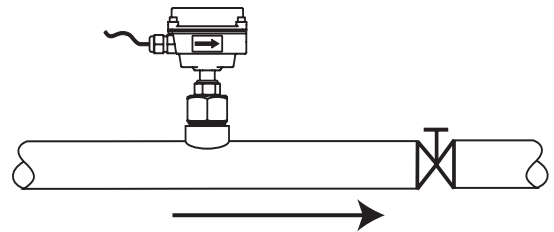


### Possible Problem



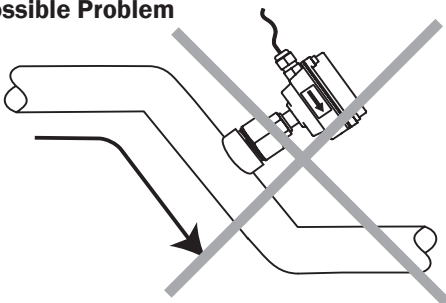
Post-valve cavitation can create air pocket

### Better Installation



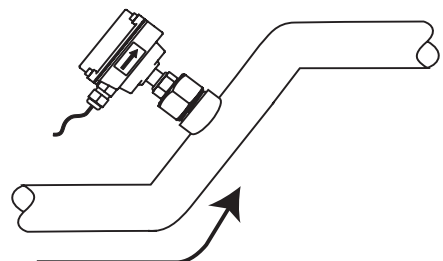
Keeps pipe full at sensor

### Possible Problem



Air can be trapped

### Better Installation



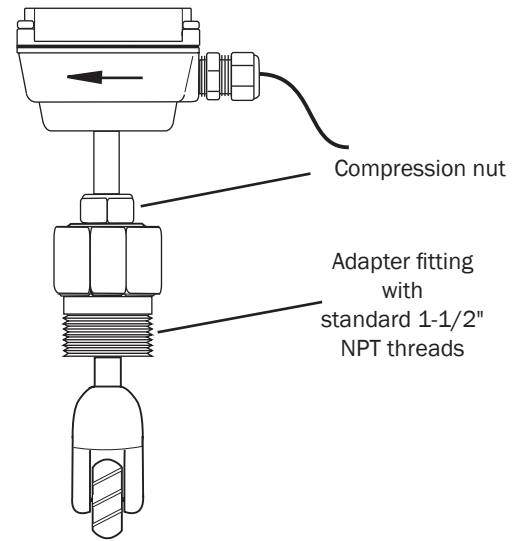
Allows air to bleed off

## INSTALLATION

### TX101/201 INSTALLATION

**Fitting Installation.** TX101/201 sensors come with a 1-1/2" male NPT pipe thread adapter fitting. Any fitting that provides the matching NPT female thread may be used. Installation procedure compensates for fitting height differences. Cut a minimum 1-3/4" hole in the pipe. If possible, measure the wall thickness and write it down for use in depth setting. Then install the threaded fitting (saddle, weldolet, etc.) on the pipe.

**Meter Installation.** Loosen the compression nut so that the adapter slides freely. Pull the meter fully upward and finger-tighten the compression nut. Using a thread sealant, install the adapter in the pipe fitting. Do not overtighten. Now loosen the compression nut, lower the meter to the appropriate depth setting (see diagram and instructions that follow). Caution: Do not allow the meter to fall into the pipe uncontrolled, as this may damage the meter. Be sure flow is in the direction of the arrow on the housing. Tighten compression nut fully.



### TX115/215 INSTALLATION

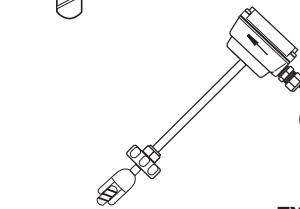
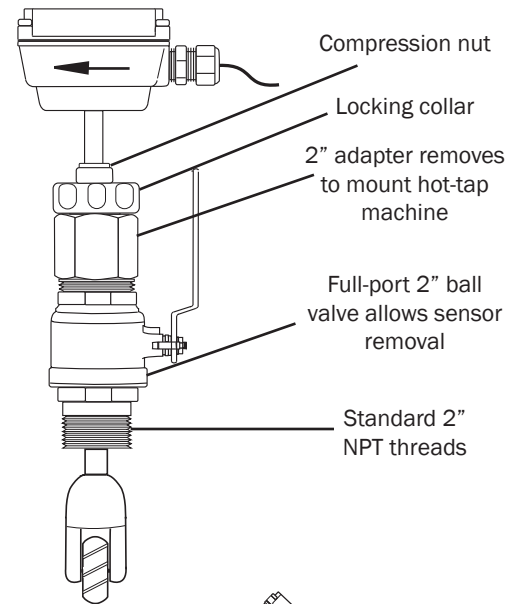
'Hot tap' TX meters are designed to be installed and serviced without depressurizing the pipe.

**Fitting Installation.** The TX115/215 sensors have a 2" NPT thread for compatibility with the 2" isolation valve. Any fitting that provides matching NPT female thread may be used. The installation procedure compensates for differences in fitting height.

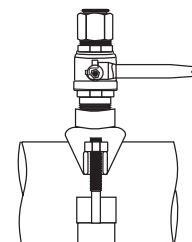
If initial installation is performed on an unpressurized pipe, cut a minimum 1-3/4" hole in the pipe. If possible, measure the wall thickness and write it down for use in depth setting. Then install the threaded fitting (saddle, weldolet, etc.) on the pipe.

If it is necessary to do the initial installation under pressure, any standard hot tap drilling machine with 2" NPT adapter, such as a Transmate or a Mueller, can be used. Ordinarily, it is not necessary to use an installation tool, since the small-diameter tube can be controlled by hand at all but the highest pressures.

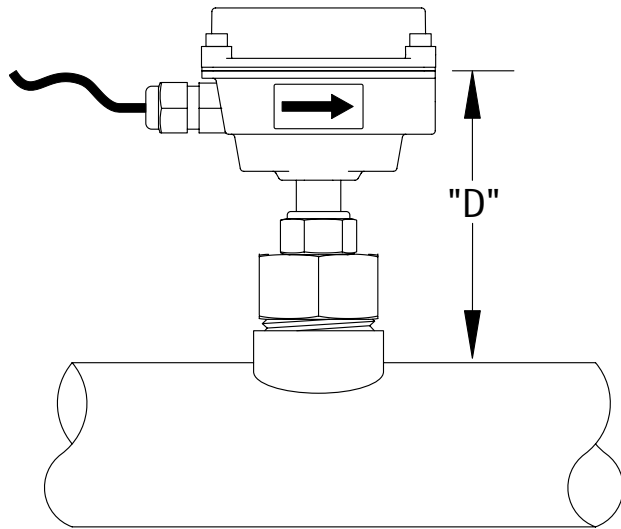
**Meter Installation.** Remove the sensor unit from the valve assembly. Using a thread sealant, install the valve assembly on the pipe fitting. If the initial installation is a pressure ("hot") tap, remove the 1-1/2" x 2" adapter bushing at the back of the valve. Thread the tapping machine on, open the valve, and tap using a minimum of 1-3/4" or maximum 1-7/8" cutter. After retracting the machine and closing the valve, reinstall the flow sensor. When the sensor is secure, open the valve and adjust depth setting (see diagram and instructions that follow). Be sure flow is in the direction of the arrow on the housing. Tighten locking collar and compression nut fully.



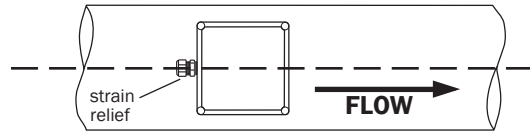
**TX115/215 Sensor Removal**



**INSTALLATION**



2. Measuring from the outside of the pipe to the joint in the housing, as shown in the diagram above, adjust the sensor to Dimension D and hand-tighten compression nut.
3. Align the conduit housing with the centerline of the pipe, as shown. Be sure the arrow on the housing points in the direction of flow.



4. Check Dimension D one more time.
5. Tighten the compression nut fully.

**Proper Depth Setting.** It is important for accuracy that the sensor be inserted to the correct depth into the pipe.

1. Please visit [www.seametrics.com](http://www.seametrics.com) and select the K-factor Calculator located on the lower left of the homepage to find dimension 'D' (insertion depth setting) above.

**RECORD YOUR SETTINGS**

Once you have the meter set up and operational, it is important to record your meter settings and save them for future reference.

K-Factor \_\_\_\_\_

Insertion Depth (Dim. D) \_\_\_\_\_

**TABLE 1: PIPE WALL THICKNESS**

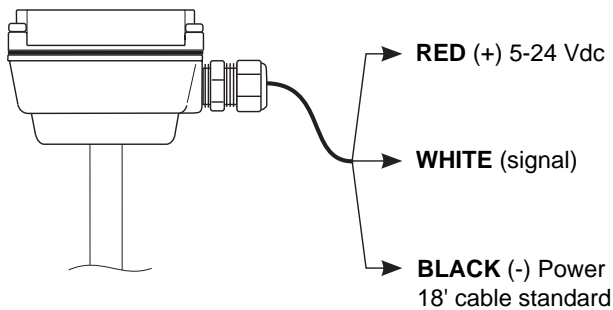
	NOMINAL PIPE SIZE												
	3"	4"	6"	8"	10"	12"	14"	16"	18"	20"	24"	30"	36"
<b>PVC/Steel Sch. 40</b>	0.216	0.237	0.280	0.322	0.365	0.406	0.438	0.500	0.562	0.593	0.687		
<b>PVC/Steel Sch. 80</b>	0.300	0.337	0.432	0.500	0.593	0.687	0.750	0.843	0.937	1.031	1.218		
<b>Stainless Steel (10S)</b>	0.120	0.120	0.134	0.148	0.165	0.180	0.188	0.188	0.188	0.218	0.250	0.312	0.312
<b>Stainless Steel (40S)</b>	0.216	0.237	0.280	0.322	0.365	0.375	0.375	0.375	0.375	0.375	0.375	0.375	0.375
<b>Copper Tubing (Type L)</b>	0.090	0.110	0.140	0.200	0.250	0.280							
<b>Copper Tubing (Type K)</b>	0.109	0.134	0.192	0.271	0.338	0.405							
<b>Brass Pipe</b>	0.219	0.250	0.250	0.312	0.365	0.375							
<b>Duct. Iron (Class 52)</b>	0.280	0.290	0.310	0.330	0.350	0.370	0.390	0.400	0.410	0.420	0.440	0.470	0.530



## SET-UP

---

**Connection.** Sensors are supplied with 18 ft. of cable. For sensors with no additional electronics, see diagram for color coding. For sensors with on-board electronics, see the manual accompanying the electronics module.



**Calibration (“K-Factor”).** In order to properly process pulses from the flow sensor, a number must be entered into the control to which the sensor is connected. This number, called the K-factor, is the number of pulses the sensor puts out per unit of fluid passing through the pipe. It is normally provided for Seametrics sensors in pulses per gallon, and can be ascertained by using the “K-Factor Calculator” on the Seametrics website. These numbers are based on extensive testing, which has shown close agreement between different TX sensors in the same installation. Most K-factor error can be attributed to installation variables, such as depth setting and fitting configuration.

It is possible to field calibrate a sensor by catching the fluid in a measured container and comparing with the number of pulses recorded. (To record individual pulses, set the K-factor on the control to 1.00.) This is especially desirable if the installation has less than the recommended length of straight pipe upstream of the sensor. For detailed instructions on field calibration, please refer to the technical bulletin on our website ([www.seametrics.com/pdf/LT-13276-A.pdf](http://www.seametrics.com/pdf/LT-13276-A.pdf)).

**OPERATION**

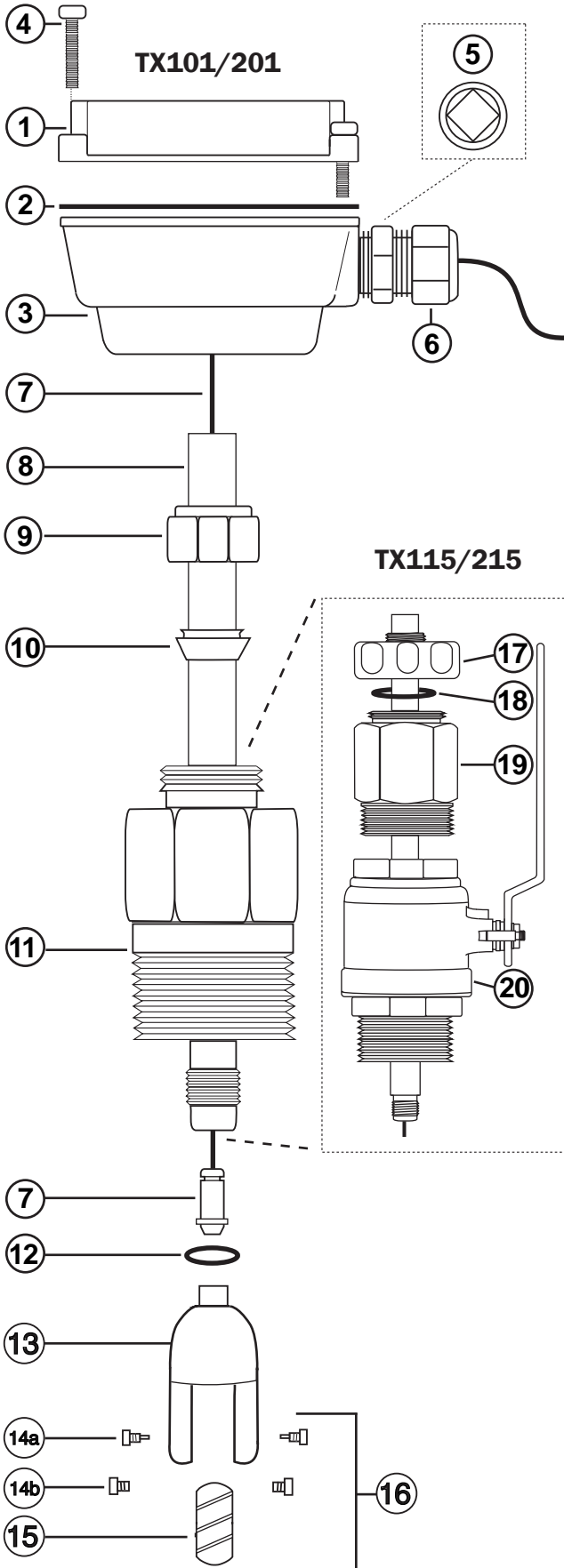
---

**Flow Range.** These sensors are designed to operate at flow velocities of 0.5 to 30 feet per second (see Table 2, below). If erratic readings are encountered at low flows, check the chart to see if flow is below minimum for the pipe size. The standard shaft and bearings should have a long life at continuous high flow.

**TABLE 2: Flow Rates converted from Feet/Sec to Gallons/Minute at various velocities: Schedule 40 pipe**

Feet / Sec □	Nominal pipe size											
	3"	4"	5"	6"	8"	10"	12"	16"	24"	36"	38"	40"
<b>(0.5)</b>	11.5	19.8	31.2	45	78	123	176	313	704	1585	1770	1960
<b>(1.0)</b>	23	39.7	62.4	90	156	246	349	551	1250	2910	3530	3915
<b>(2.0)</b>	46.1	79.4	125	180	312	492	698	1100	2510	5830	7070	7825
<b>(5.0)</b>	115	198	312	450	780	1230	1740	2750	6270	14570	17670	19560
<b>(10.0)</b>	230	397	624	900	1560	2460	3490	5510	12530	29140	35350	39120
<b>(20.0)</b>	461	794	1250	1800	3120	4920	6980	11020	25060	58270	70700	78240
<b>(30.0)</b>	691	1190	1870	2700	4680	7370	10470	16520	37600	87410	106050	117500

**PARTS LIST**



TX 101/201 Parts			
1	Upper housing assembly	30475	
2	Housing Gasket	26211	
3	Lower housing	Not Field Replaceable	
4	Housing screw assembly	26229 (4 required)	
5	Plug, steel	26073	
6	Strain relief	07655	
7	Sensor w/cable	26310 (Standard - FT420) 29953 (Micropower - FT415)	
8	Tube	Not Field Replaceable	
9	Compression nut	14199 (Brass) 15064 (SS)	
10	Compression Ferrule	26065	
11	Adapter fitting	30998 (Brass) 30999 (SS)	
12	Rotor housing O-ring	16454	
13	Rotor housing	Before Jan 1, 2011 25977 (Brass) 25978 (SS)	After Jan 1, 2011 33023 (Brass) 33024 (SS)
14a	Jewel bearing assembly (for carbide shaft)	25901 (2 required)	
14b	Jewel Bearing Assembly (for ceramic shaft)	16710 (2 required)	
15	Turbine Rotor assembly	Before Jan 1, 2011 25946 (Polypro) 25947 (Kynar)	After Jan 1, 2011 33015 (Kynar)
16	Rotor repair kit (consists of #15 & #16)	Before Jan 1, 2011 25930 (Poly/Carbide) 25945 (Kynar/Ceramic)	After Jan 1, 2011 33087 (Kynar/Carb)

TX 115/215 Parts (hot tap)		
All part numbers are the same except those below		
17	Locking Collar	14190 (Brass) 15170 (SS)
18	Adapter fitting O-ring	26029
19	Adapter, hot tap	26130 (Brass) 26131 (SS)
20	Valve assembly (includes Adapter, #20)	14225 (Brass) 15225 (SS)

### Troubleshooting



**CAUTION!** Never attempt to remove a flow sensor when there is pressure in the pipe. Loosen the compression nut slowly to release any trapped pressure. If fluid sprays out when removing the sensor, stop turning and depressurize the pipe. Failure to do so could result in the sensor being thrown from the pipe, resulting in damage or serious injury.

The flow sensor has only one moving part, the rotor. If this is turning properly and there is no signal, the Hall-effect sensor is not operating properly. To check the signal, apply 12 Vdc regulated\* power to the red (+) and black (-) leads. Set a multimeter to voltage reading. Put the positive multimeter lead on the red wire and the negative lead on the white wire. Slowly turn the rotor. Voltage reading should swing between +12 Volts and 0 Volts as the rotor turns. If it does not, the Hall effect sensor is not working properly. Checking for continuity is not a useful test of these sensors.

**\*NOTE:** An unregulated power supply can exceed max voltage of micro powered sensor (gray cable) and damage sensor.

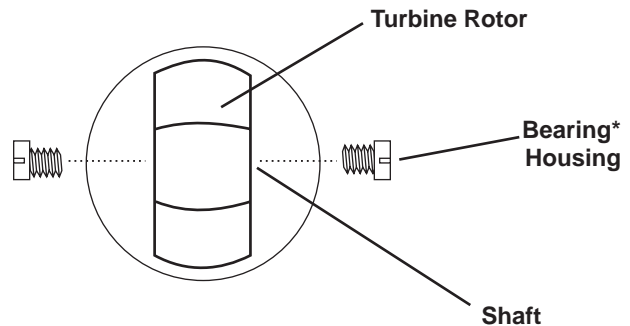
### Repair

All Seametrics flow sensors are repairable, and can be returned to the factory or distributor for repair.

**Please first obtain a Return Material Authorization (RMA) number.**

**Rotor Replacement.\*** Rotors are easily field-replaced. Shaft and rotor are a single unit, and are not replaced separately. If replacement is due only to normal shaft wear, bearing replacement is probably not necessary. If the rotor has been damaged by impact, the bearings should also be replaced. Rotor and bearings can be ordered as a kit (see parts listing). Follow these steps:

1. Unscrew the threaded bearing housings to expose the shaft ends. If bearings are being replaced, back them completely out.
2. Remove the rotor. Put the new rotor in its place.
3. Thread in one bearing housing part way, then the other. Take care to start the end of the shaft into the bearing hole before tightening further.
4. Screw in bearing housings until they bottom.  
**Note: Do not use excessive force.**
5. Check for free spin. Blowing lightly on the rotor should result in it spinning rapidly and coasting to a smooth stop.



**\*NOTE:** Described here is the rotor/shaft/bearing configuration for the carbide shaft model. On ceramic shaft models the shafts are in the screws and the bearings are in the rotor. Follow the same basic procedure above.



Seametrics Incorporated • 19026 72nd Avenue South • Kent, Washington 98032 • USA  
(P) 253.872.0284 • (F) 253.872.0285 • 1.800.975.8153 • [www.seametrics.com](http://www.seametrics.com)