



APPLICATIONS

- Water treatment
- Industrial wastewater treatment
- Cooling water monitoring
- Industrial fluid control

FEATURES

- Low-friction, long-life jewel bearings
- One moving part
- Field repairable
- Choice of materials for chemical compatibility
- Fits 1-1/2" to 8" pipe
- Fixed depth in fitting ensures correct depth in pipe

GENERAL INFORMATION

The TX80-Series are insertion turbine meters designed for use in 1-1/2" to 8" pipe. High-quality jewel bearings and precision shafts ensure long life and low friction. Available in 316 stainless steel, brass and PVC, sensor bodies are machined from solid rod for maximum low-flow performance. The TX80-Series use special fittings that ensure ease of installation and correct depth setting in the pipe.

The rotation of the turbine is detected by a non-drag Hall-effect sensor. Output is a pulse-type square wave, which can be sent long distances (up to 2,000 feet) without a transmitter. This signal can be connected directly to Seametrics controls and displays, as well as PLC's, counters, and computer cards.

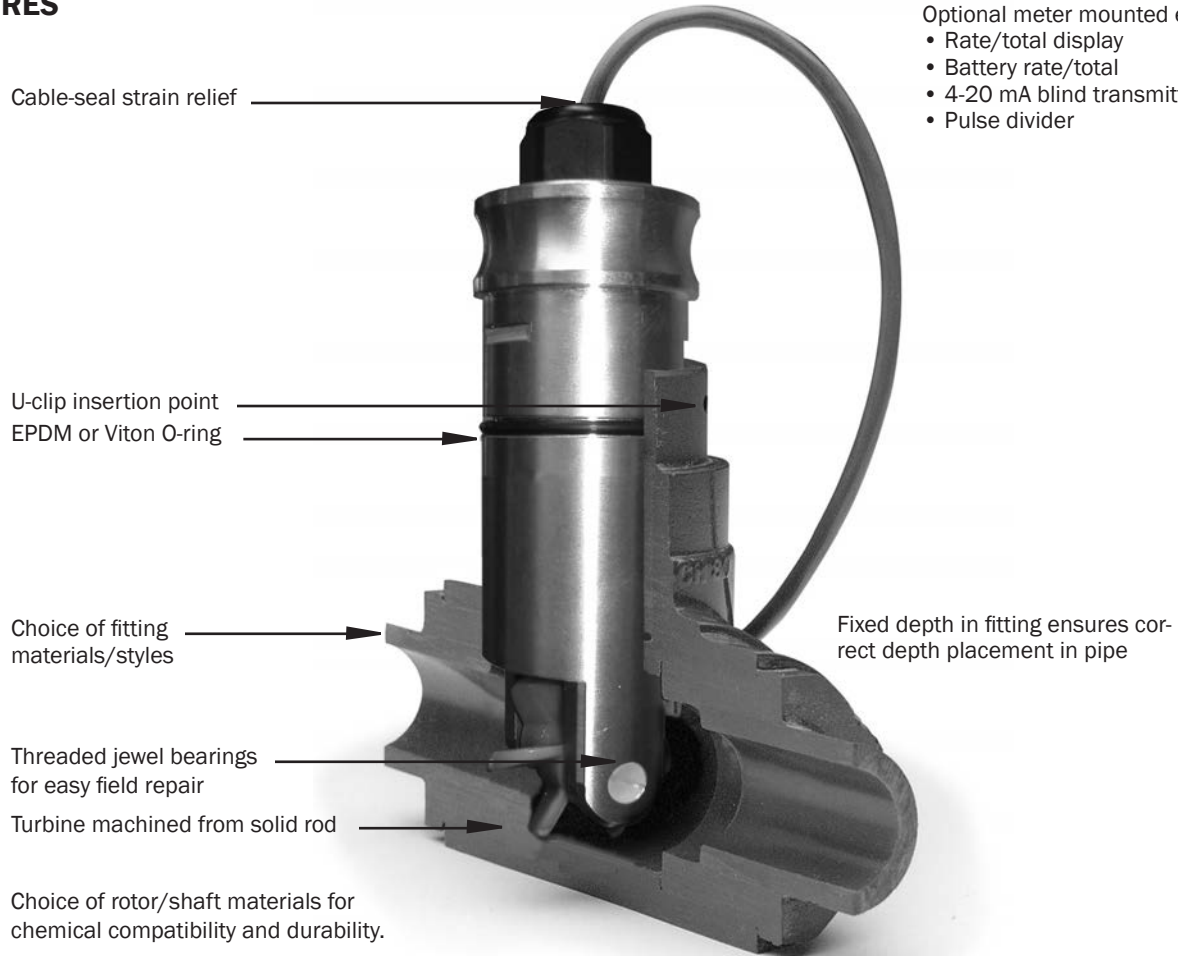
Seametrics TX80 meters are ideal for chemical proportioning applications. If no display is required, a simple divider such as the PD10 provides adjustable pump pacing. For rate and total display, as well as pump pacing, the FT420 flow indicator can be mounted directly on the TX80-Series, or remotely on a wall or panel. The FT415 offers a battery-operated rate/totalizer where power is not available.



PROMAG ENVIRO
Leader in Water & Waste Water Treatment Supply


CALL US TOLL FREE 1.866.449.2781
www.promagenviro.com info@promagenviro.com

FEATURES



- Optional meter mounted electronics
- Rate/total display
 - Battery rate/total
 - 4-20 mA blind transmitter
 - Pulse divider

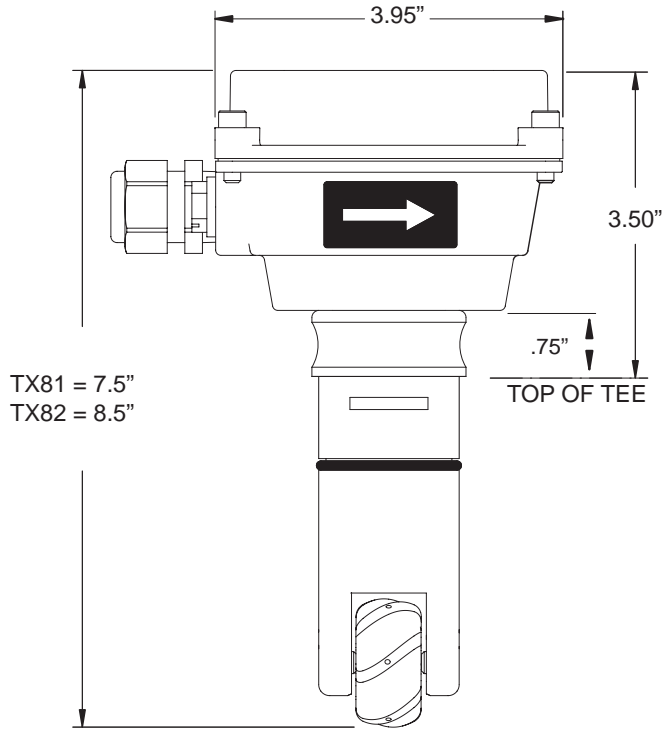
SPECIFICATIONS*

Materials	Body	PVC, brass or stainless steel		
	Rotor Assembly	PVDF rotor/carbide shaft		
	Bearings	Ruby jewel		
	O-Ring	EPDM (Viton optional)		
Rotor Pickup	GMR (Giant Magnetoresistive Sensor)			
Maximum		Brass	316 SS	PVC
	Pressure	200 psi (14 bar)	200 psi (14 bar)	175 psi (12 bar) at 75°
	High Pressure	Not Available	400 psi (28 bar)	Not Available
	Temperature	200° F (93° C)		130° F (55° C) at 0 psi
Flow Range	0.5 to 30 ft./sec. (0.15 - 9.14 meter/sec)			
Calibrated Accuracy	+/- 1.5% of full scale			
Signal	Current sinking pulse, 20 mA max, 30 Vdc max (Micropower option: Pulse output swings between supply voltage and 0 Vdc)			
Power	6-30 Vdc @ 8 mA (Micropower option: 3.5-16 Vdc @ 0.3 mA max)			
Cable	22 AWG, 3 Con, 18'; 2000' max run			
Regulatory	 Mark (Stainless Steel, Brass and Standard Power Only)			

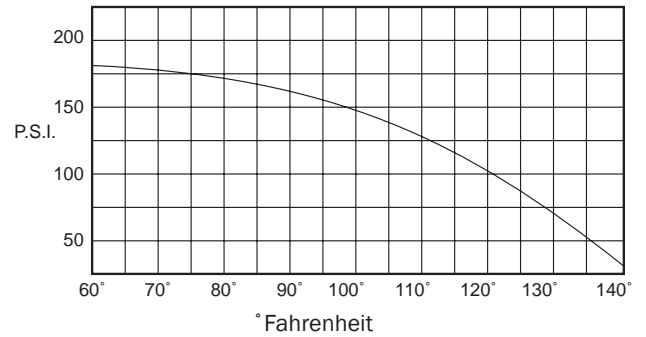
*Specifications subject to change. Please consult our website for the most current data (www.seametrics.com).

DIMENSIONS

NOTE: Top Housing Optional



PRESSURE VS. TEMPERATURE (PVC)



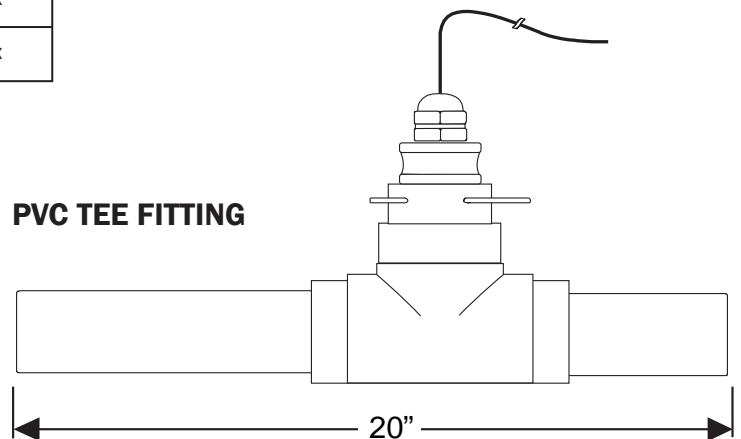
AVAILABLE FITTINGS

	Tee	Saddle	Weld	Braze	Sweat Tee
Bronze	1-1/2"-4"	3"-8"	x	3"-8"	1-1/2"-4"
PVC	1-1/2"-2"	3"-8"	x	x	x
Stainless Steel	1-1/2"-2" 304SS	x	3"-8" 316SS	x	x
Carbon Steel	1-1/2"-2"	x	3"-8"	x	x
Ductile Iron	x	3"-8"	x	x	x

FLOW RANGE (in Gallons Per Minute)

	1-1/2"	2"	3"	4"	6"	8"
Min	2.8	5	11.5	19.8	45	78
Max	190	314	691	1190	2700	4680

PVC TEE FITTING



HOW TO ORDER

MODEL	MATERIAL	OPTIONS	FITTINGS
1-1/2" - 3" = TX81 4" - 8" = TX82	Brass = B 316SS = S PVC = P	Micropower Pickup = -04 (Use with FT415 or DL76) LMI Pump Connector = -06 Seametrics Control Connector = -07 Immersibility = -40 Viton® O-Ring = -60 *High Pressure (Stainless Only) = -HP	Select from chart above (Fitting Type and Material)

*Requires appropriate fitting.

ACCESSORIES

Rate and Total Indicator with pulse & 4-20 mA outputs = FT420	Pulse divider = PD10
Rate and Total Indicator, battery powered = FT415	Data logger = DL76
Analog transmitter, blind 4-20 mA converter = AO55	Mounting kit, converts wall to meter mount = MK10
Power converter, plug-in, 110-115 Vac, 24 Vdc = PC3	Mounting kit, converts meter to wall mount = MK20

CONTACT YOUR SUPPLIER