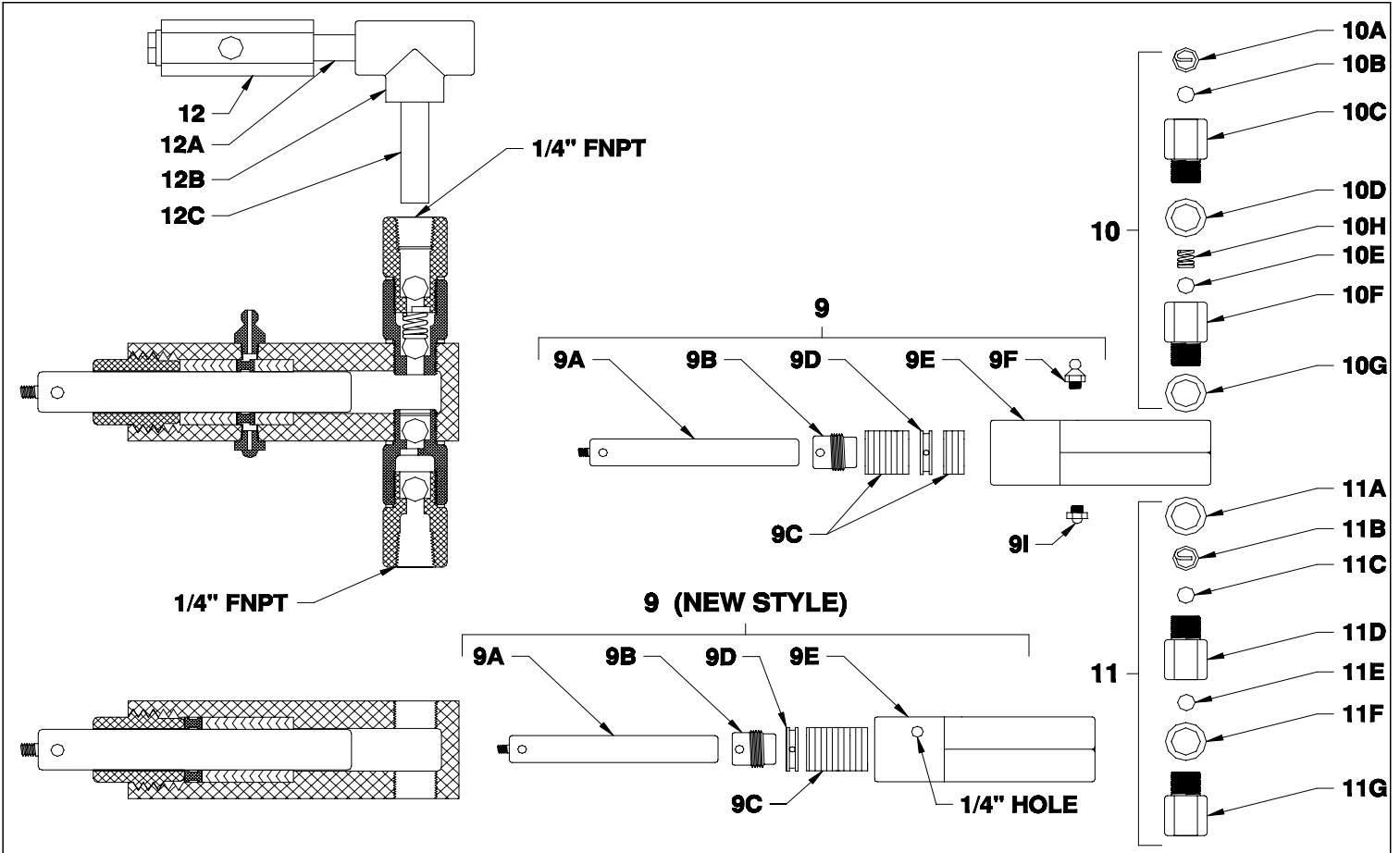


1/4" THRU 5/8" PISTON HEAD PARTS



ITEM	PART #	DESCRIPTION
9	1000-5	5/8" CS PISTON HEAD ASSEMBLY** (LESS CKS)
	1000-4	1/2" CS PISTON HEAD ASSEMBLY** (LESS CKS)
	1000-3	3/8" CS PISTON HEAD ASSEMBLY** (LESS CKS)
	1000-2	1/4" CS PISTON HEAD ASSEMBLY** (LESS CKS)
9A*	007-4	5/8" DIAMETER 303SS PISTON***
	007-3	1/2" DIAMETER 303SS PISTON***
	007-2	3/8" DIAMETER 303SS PISTON***
	007-1	1/4" DIAMETER 303SS PISTON***
9B	003-6	5/8" PACKING NUT
	003-1	1/2" PACKING NUT
	003-2	3/8" PACKING NUT
	003-4	1/4" PACKING NUT
9C*	012-4	5/8" PACKING SET (BUNA N)****
	012-3	1/2" PACKING SET (BUNA N)****
	012-2	3/8" PACKING SET (BUNA N)****
	012-1	1/4" PACKING SET (BUNA N)****
9D	017-4	1/2" & 5/8" PACKING GLAND
	017-1	1/4" & 3/8" PACKING GLAND
9E	001-6	5/8" CS PUMP HEAD SHELL**
	001-1	1/2" CS PUMP HEAD SHELL**
	001-2	3/8" CS PUMP HEAD SHELL**
	001-4	1/4" CS PUMP HEAD SHELL**
9F	006-1	GREASE FITTING
9I	006	GREASE RELIEF FITTING

*** RECOMMENDED SPARE PARTS**

CS-CARBON STEEL
 C20-ALLOY 20
 HC-ALLOY 276

ITEM	PART #	DESCRIPTION
10*	002-D	303SS DISCHARGE CHECK VALVE ASSEMBLY****
10A	002-7	BALL RETAINER CLIP
10B	002-5	3/8" DIAMETER 316SS BALL CHECK
10C	002-3	TOP DISCHARGE CHECK BODY
10D*	002-6	NICKEL PLATED COPPER SEAL
10E	002-5	3/8" DIAMETER 316SS BALL CHECK
10F	002-2	BOTTOM DISCHARGE CHECK BODY
10G*	002-6	NICKEL PLATED COPPER SEAL
10H	002-0	ANTI-SYPHON SPRING (OPTIONAL)
11*	002-S	303SS SUCTION CHECK VALVE ASSEMBLY****
11A*	002-6	NICKEL PLATED COPPER SEAL
11B	002-7	BALL RETAINER CLIP
11C	002-5	3/8" DIAMETER 316SS BALL CHECK
11D	002-1	TOP SUCTION CHECK BODY
11E	002-5	3/8" DIAMETER 316SS BALL CHECK
11F*	002-6	NICKEL PLATED COPPER SEAL
11G	002-4	BOTTOM SUCTION CHECK BODY
12	18	1/4" NPT 303SS PRESSURE RELIEF VALVE
12A		1/4" NPT X 1 1/2" BLACK NIPPLE
12B		1/4" NPT 300# BLACK TEE
12C		1/4" NPT X 2 1/2" BLACK NIPPLE

OPTIONAL MATERIALS

** 303SS
 316SS
 C20
 HC

*** 316SS
 C20
 HC

**** TEFLON
 VITON