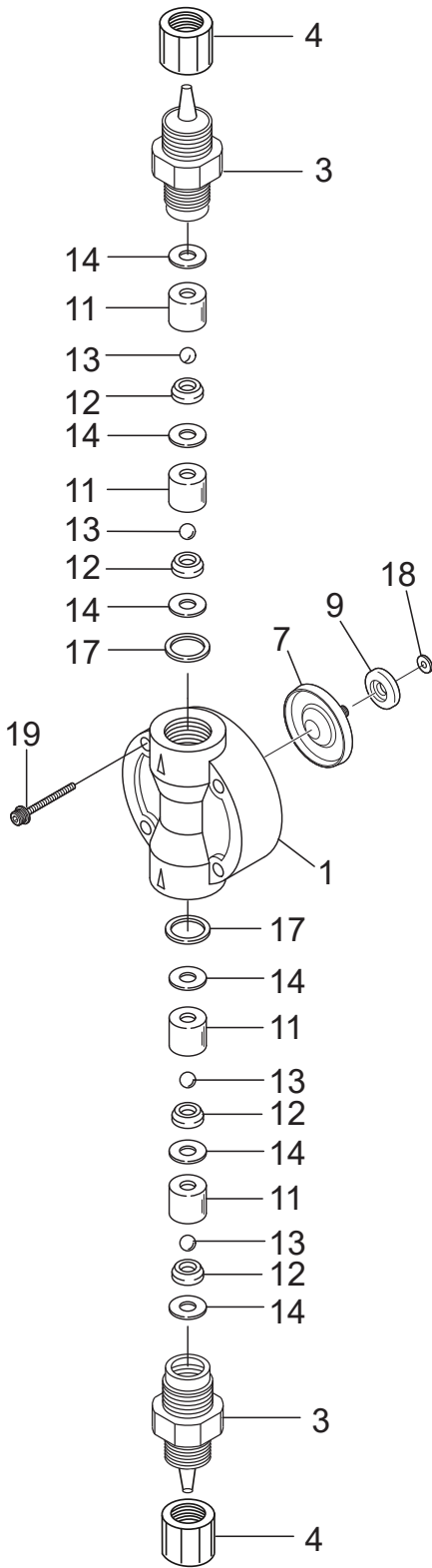


EZ 11-36 FC Liquid End Exploded View



Item	Part#	Description	Qty	Material	Size	Liquid End Material	
1	EH2407	Pump Head	1	PVDF	B11	FC	
	EH2408		1	PVDF	B16	FC	
	EH2409		1	PVDF	B21	FC	
	EH1969		1	PVDF	B31	FC	
	EH2411		1	PVDF	C16	FC	
	EH2412		1	PVDF	C21	FC	
	EH1966		1	PVDF	C31	FC	
3	EH1967	Housing, Valve	1	PVDF	C36	FC	
	EH2361		2	PVDF	B11,16,21 / C16,21	FC	
4	EH2362	Nut, Coupling, 3/8 PVDF	2	PVDF	B31 / C31,36	FC	
	EH0836		2	PVDF	B11,16,21 / C16,21	FC	
*7	EH0837	Nut, Coupling, 1/2 PVDF	2	PVDF	B31 / C31,36	FC	
	EH1971		1	PTFE+EPDM	B11	FC	
*9	EH1972	Diaphragm	1	PTFE+EPDM	B16 / C16	FC	
	EH1973		1	PTFE+EPDM	B21 / C21	FC	
	EH1974		1	PTFE+EPDM	B31 / C31	FC	
	EH1975		1	PTFE+EPDM	C36	FC	
	EH0059		Retainer	1	PPS+GF	B11	FC
	EH0083			1	PPS+GF	B16 / C16	FC
	EH0067			1	PPS+GF	B21 / C21	FC
*11	EH0087	Guide, Valve	1	PPS+GF	B31 / C31	FC	
	EH0158		1	PPS+GF	C36	FC	
	EH2413		4	PVDF	B11	FC	
	EH2414		4	PVDF	B16,21 / C16,21	FC	
*12	EH0352	Seat, Valve	4	PVDF	B31 / C31,36	FC	
	EH2415		4	PCTFE	B11	FC	
	EH2416		4	PCTFE	B16,21 / C16,21	FC	
	EH1722		4	PCTFE	B31 / C31,36	FC	
*13	EH0025	Ball, Valve	4	CE	B11	FC	
	EH0084		4	CE	B16,21 / C16,21	FC	
	EH0120		4	CE	B31 / C31,36	FC	
*14	EH0354	Gasket, Valve	6	PTFE	B31 / C31,36	FC	
	EH0342		6	PTFE	B11,16,21 / C16,21	FC	
*17	EH0591	Gasket, Valve Housing	2	PTFE	B11,16,21 / C16,21	FC	
	EH0613		2	PTFE	B31 / C31,36	FC	
19	EH1986	Bolt, Hex Soc. w/washers	4	M4x35 316SS	B11,16,21/C16,21,31	FC	
	EH1987		4	M4x40 316SS	B31	FC	
	EH1988		4	M5x35 316SS	C36	FC	
18	-----	Brass Spacers	--	Brass	Drive Specific. Reuse with Dia. change	ALL	

* Parts Included in the Spart Parts Kits

W A L C H E M

IWAKI America Inc.

P/N 180681.D 3/10/2021