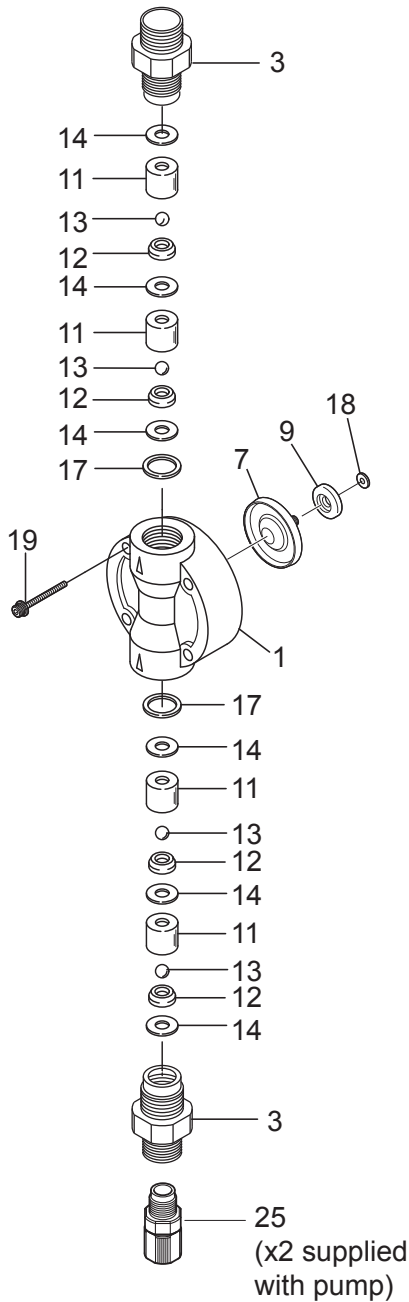


Components



Item	Part#	Description	Qty	Material	Size	Liquid End Material
1	EH2410	Pump Head	1	PVDF	B11	FC
	EH2411		1	PVDF	B16 / C16	FC
	EH2412		1	PVDF	B21 / C21	FC
	EH1966		1	PVDF	B31 / C31	FC
	EH1967		1	PVDF	C36	FC
3	EH2361	Housing, Valve	2	PVDF	B11,16,21 / C16,21	FC
	EH2362		2	PVDF	B31 / C31,36	FC
*7	EH1971	Diaphragm	1	PTFE+EPDM	B11	FC
	EH1972		1	PTFE+EPDM	B16 / C16	FC
	EH1973		1	PTFE+EPDM	B21 / C21	FC
	EH1974		1	PTFE+EPDM	B31 / C31	FC
	EH1975		1	PTFE+EPDM	C36	FC
*9	EH0059	Retainer	1	PPS+GF	B11	FC
	EH0083		1	PPS+GF	B16 / C16	FC
	EH0067		1	PPS+GF	B21 / C21	FC
	EH0087		1	PPS+GF	B31 / C31	FC
	EH0158		1	PPS+GF	C36	FC
*11	EH2413	Guide, Valve	4	PVDF	B11	FC
	EH2414		4	PVDF	B16,21 / C16,21	FC
	EH0352		4	PVDF	B31 / C31,36	FC
*12	EH2415	Seat, Valve	4	PCTFE	B11	FC
	EH2416		4	PCTFE	B16,21 / C16,21	FC
	EH1722		4	PCTFE	B31 / C31,36	FC
*13	EH0025	Ball, Valve	4	CE	B11	FC
	EH0084		4	CE	B16,21 / C16,21	FC
	EH0120		4	CE	B31 / C31,36	FC
	EH0354	Gasket, Valve	6	PTFE	B31 / C31,36	FC
*14	EH0342		6	PTFE	B11,16,21 / C16,21	FC
	EH0591	Gasket, Valve Housing	2	PTFE	B11,16,21 / C16,21	FC
	EH0613		2	PTFE	B31 / C31,36	FC
19	EH1986	Bolt, Hex Soc. w/washers	4	M4X35 316SS	B11,16,21,31 / C16,21,31	FC
	EH1988		4	M5X35 316SS	C36	FC
25	E00260	Fitting, 3/8"Tube x 1/4"MPT	2	PVDF	B11,16,21 / C16,21	FC
	E00261	Fitting, 1/2"Tube x 1/4"MPT	2	PVDF	B31 / C31,36	FC
18	-----	Brass Spacers	--	Brass	Drive Specific. Reuse with Dia. change	ALL

* Parts Included in the Spart Parts Kits